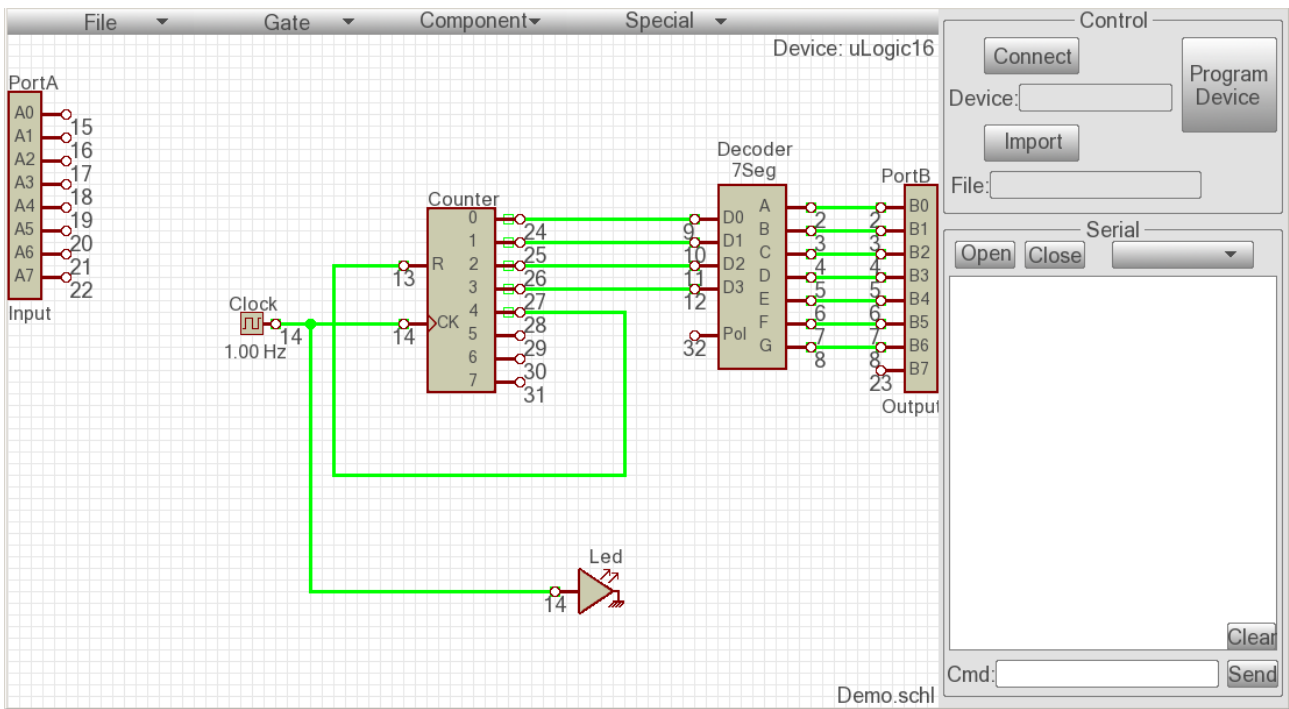




User Manual LogiControl





BS
Electronics

Contents

User Manual.....	1
1 Introduction.....	3
2 Project management.....	3
2.1 Creation.....	4
3 Realization of the logic layout.....	6
4 Communication and programming.....	8
4.1 Automatic connection.....	9
4.2 Manual connection.....	9
4.3 Programming.....	10
5 Contact.....	11



BS
Electronics

1 Introduction

Software LogiControl is destined to drive and programming the μ Logic board.
LogiControl contain a layout editor and terminal for communication.

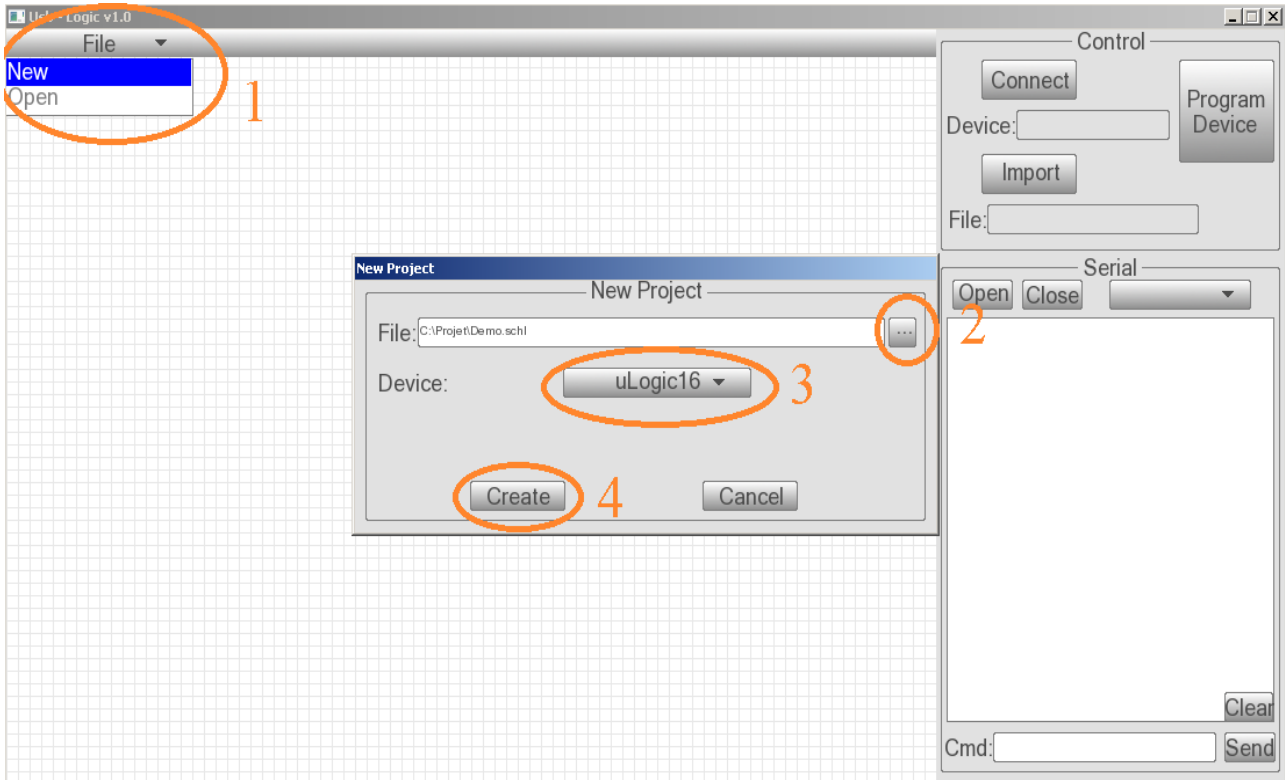
2 Project management

Each prjoect costits two files :

- .schl files containt information about layout.
- .pgrm files contain the information needed to program the device



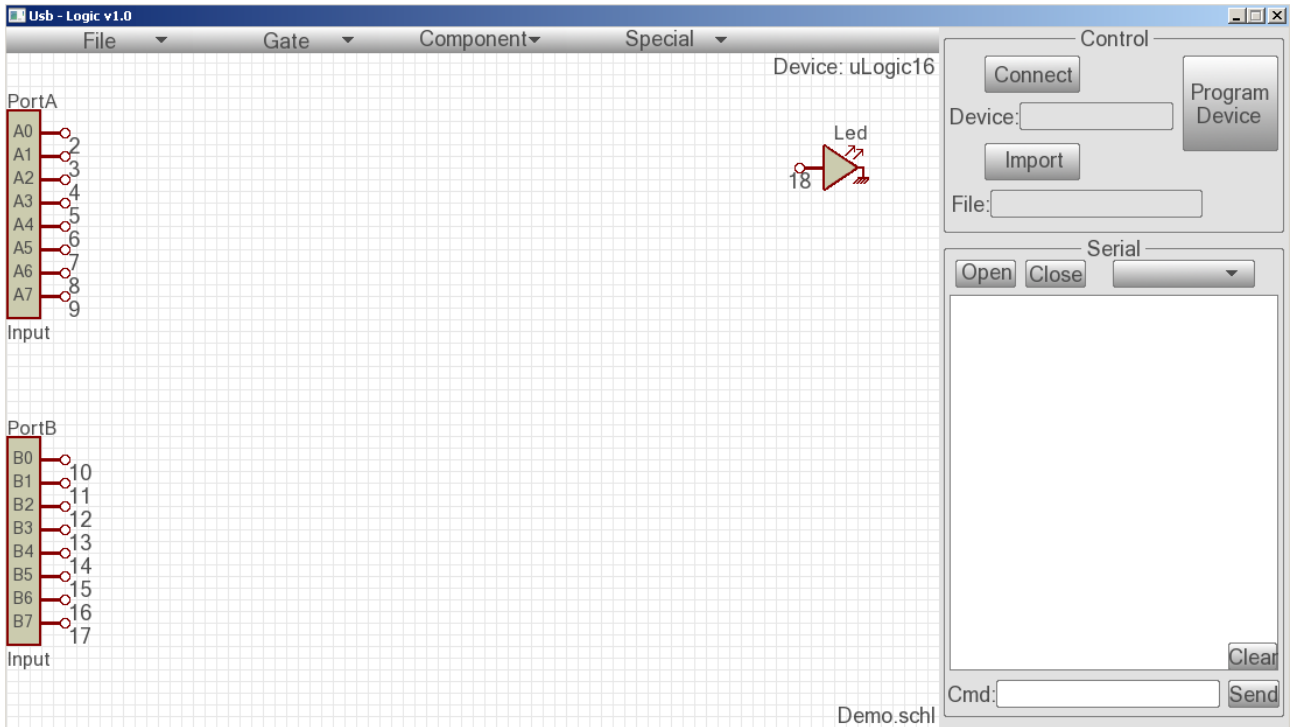
2.1 Creation



- 1 – Click on « File/New ».
- 2 – Select the name and path of the project.
- 3 – Select device.
- 4 – Click on « Create ».



BS
Electronics



Once the project is created, three new tabs appear(Gate, Component, Special).

These make it possible to place the logical components.

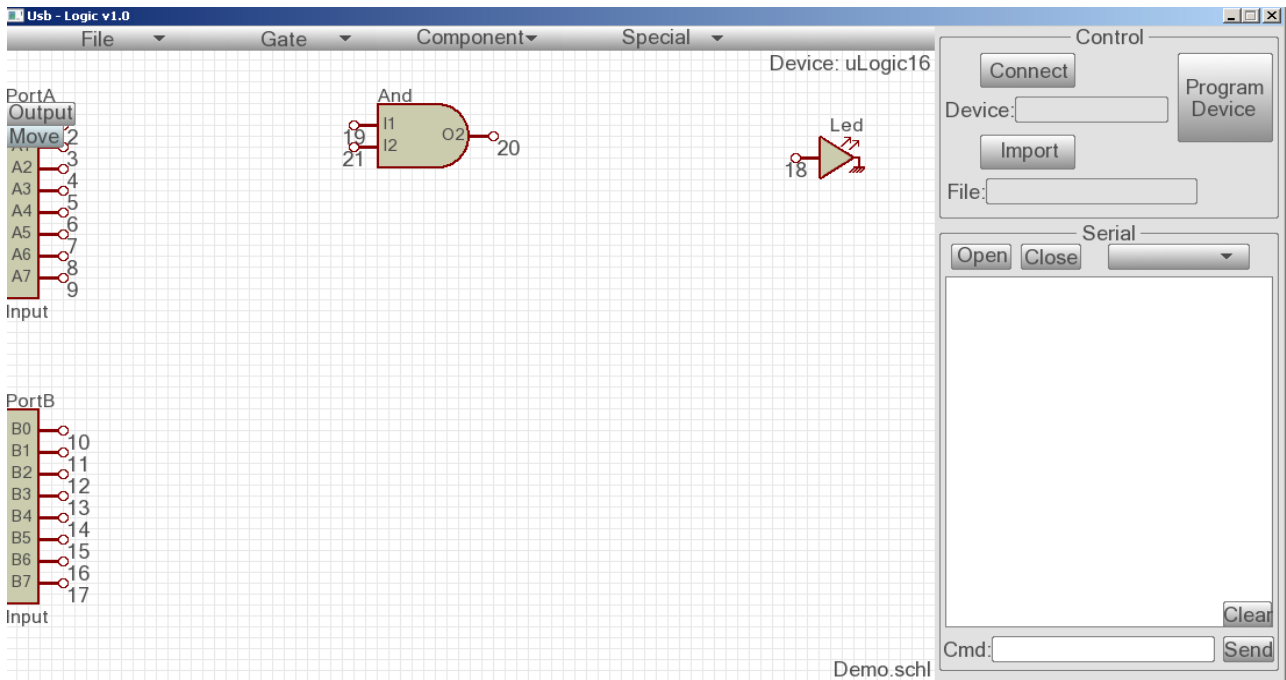
PortA and PortB components are automatically created and can not be deleted.



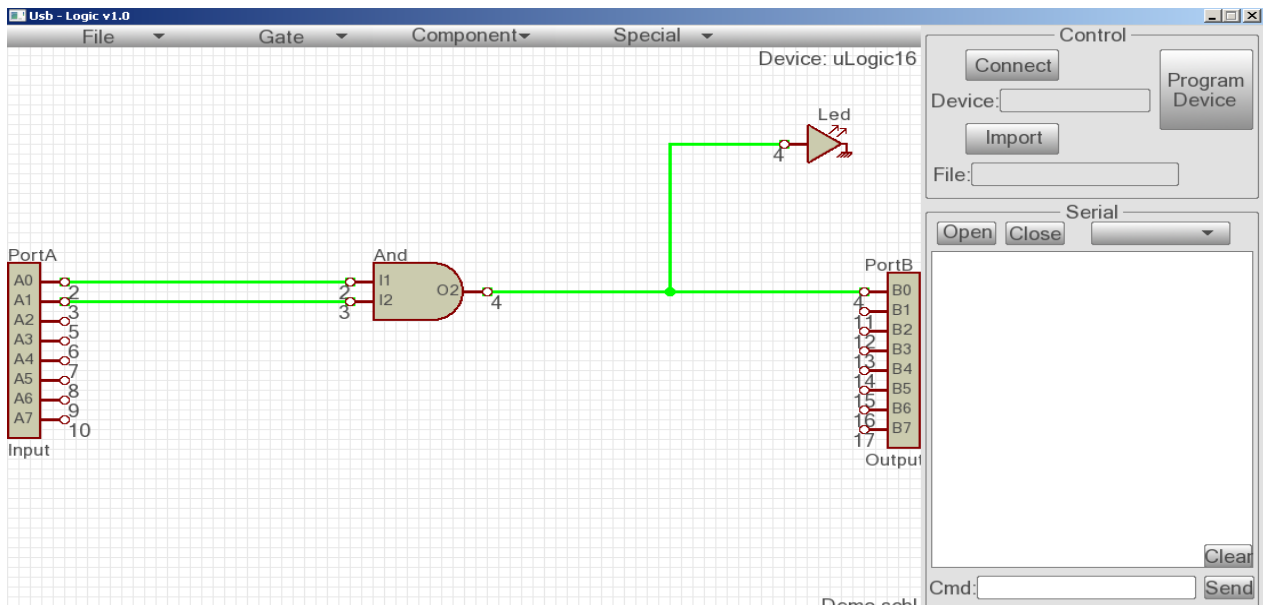
3 Realization of the logic layout

Click on « Gate », « Component » or « Special » and choose a component then place it on the grid with the left click.

Right clicking allows you to delete, move or edit a component.



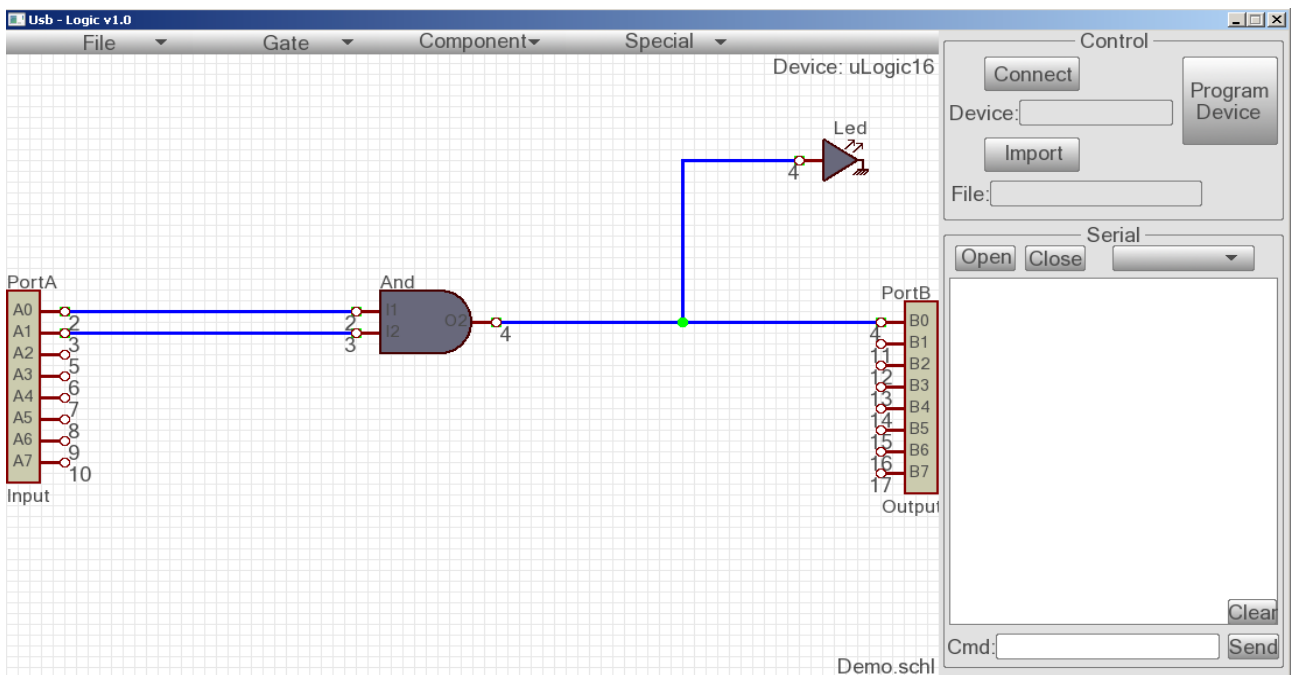
Once the components are placed, the connections are created by clicking on the pin of a component or on an existing wire.



Several keyboard shortcuts exist:

- M: Moves the targeted component.
- Delete: Deletes the targeted component or net
- Backspace: Deletes the targeted component or segment.
- E: Edit the component (if possible).

It is possible to make a multiple selection to move or delete part of the schematic.



The same shortcuts are available (delete and move).

Right-clicking also allows you to move or delete.



BS
Electronics

4 Communication and programming

The software integrates a terminal allowing the communication without going through an external software.

Write a command in the "Cmd" bar at the bottom right then press "send".

The command sent and the response are displayed on the console.

The screenshot displays the 'Usb - Logic v1.0' software interface. The main workspace shows a grid with two ports: PortA (pins A0-A7) and PortB (pins B0-B7). A red LED component is connected to pin 18. The 'Device' is set to 'uLogic16'. On the right, the 'Control' panel has 'Connect', 'Program Device', and 'Import' buttons. The 'Serial' panel shows 'COM158' selected and a console window displaying 'L'opération a réussi.' and '<TX> LEDON OK!'. At the bottom, the 'Cmd' bar contains 'LEDON' and a 'Send' button.

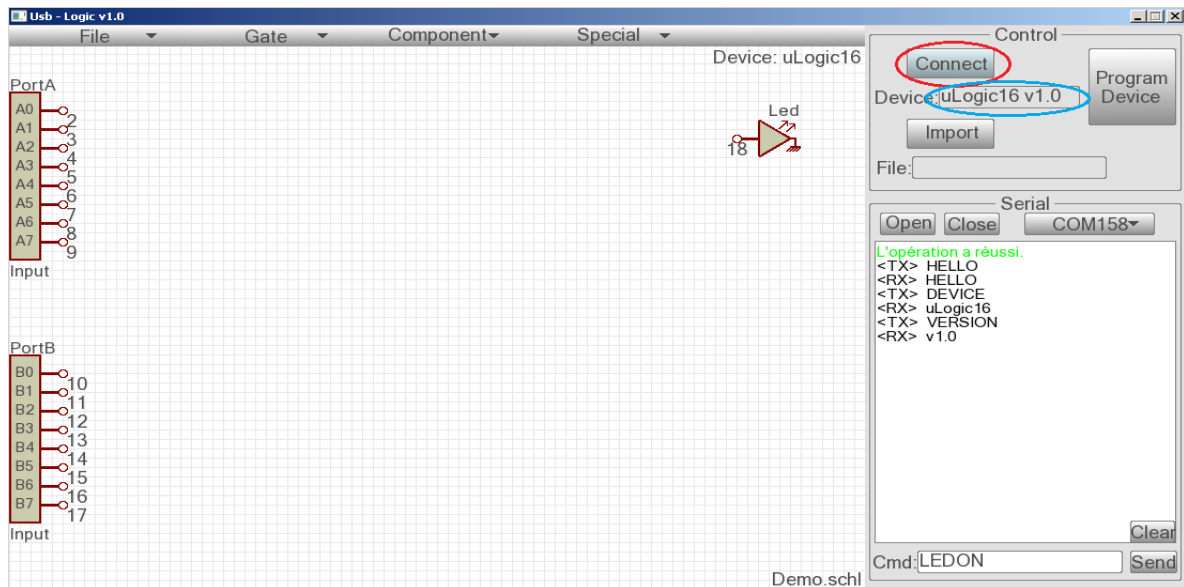


BS
Electronics

4.1 Automatic connection

Use the connect button to connect to the device automatically.

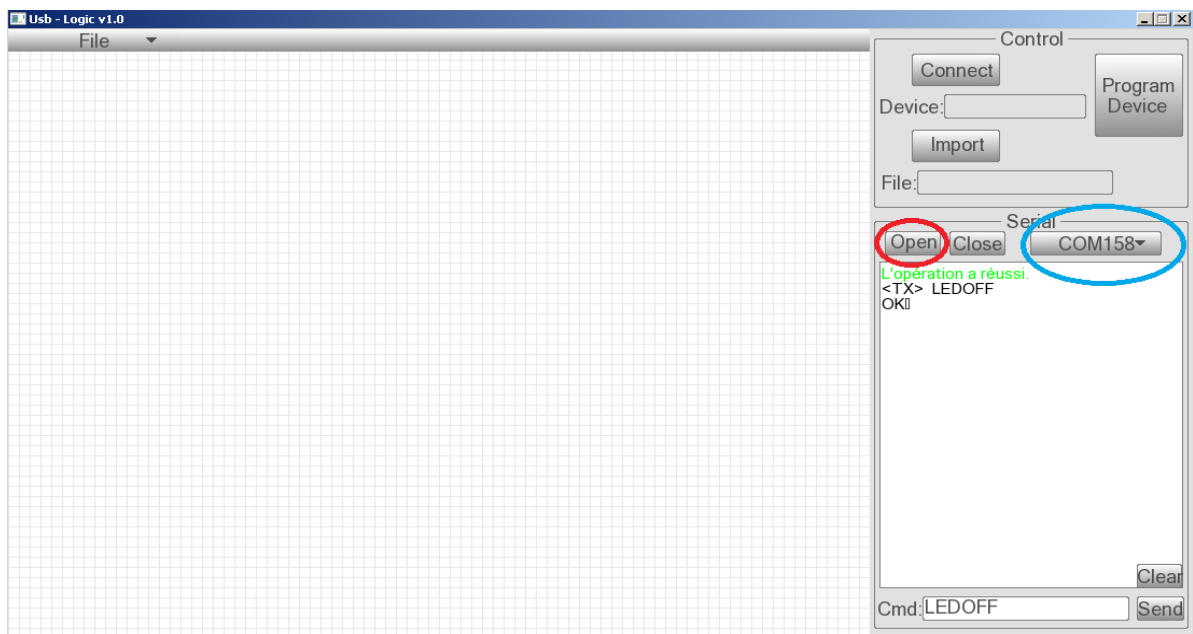
The software tests all available ports to find the device.



Once the device is found, the software displays the name and version of the device.

4.2 Manual connection

If the automatic connection does not work, select the com port manually then click on Open.

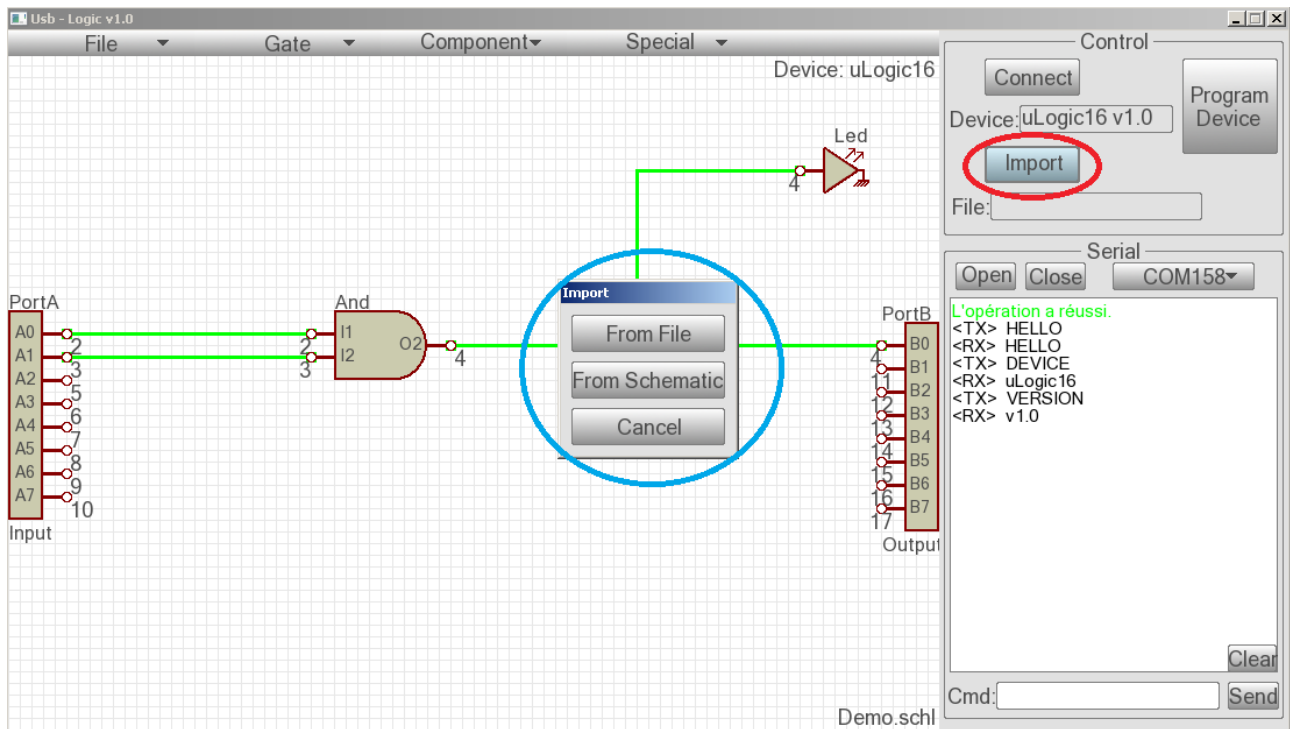


Once the port is open, it is possible to send commands or start programming.



4.3 Programming

Once the schematic is ready and the communication is established, click on "import".



Two choices are possible:

- " From schematic " allows you to choose the schematic as programming source.
A ".pgrm " file is created automatically.

When this option is chosen, schematic changes are automatically taken into account when reprogramming.

- " From file " allows you to select an existing programming file ".pgrm " without having to edit a schematic.

Once the source is selected, simply click on " Program " .

An error message is returned if the programming did not proceed correctly.



BS
Electronics

5 Contact

Feel free to share your impressions, problems and ideas for improvement.

Mail : bastien@sclafer.com

Site web : <http://www.bselectronics.fr/>